



# Series 1522 Horizontal, Close-Coupled Pumps

FOR INSTALLATION WHERE QUIET OPERATION IS IMPORTANT

- HYDRONIC HEATING AND COOLING SYSTEMS • INDUSTRIAL PROCESS
- GENERAL PUMPING • SERVICE

B-302E



**Bell & Gossett**

a xylem brand

# Series 1522 Pumps

## A versatile pump for many applications

### 1. Compact Design

The unique design of the Series 1522 pump minimizes space requirements while retaining the noise isolation features afforded by a specially designed flexible coupling.

### 2. Back Pullout

This standard feature of all B&G end suction pumps affords easy maintenance and serviceability. Pumps may be serviced without disturbing piping.

### 3. Quiet Operation

Pump and motor have large bronze sleeve bearings to provide smooth, quiet operation.

### 4. Stock Selections

Features a wide range of stock sizes to cover most pumping requirements. Provides easy selection, quick delivery at low cost.

### 5. Material Construction

Available in Bronze Fitted, All Bronze or All Iron. Materials of construction broadens the range of pumping applications.

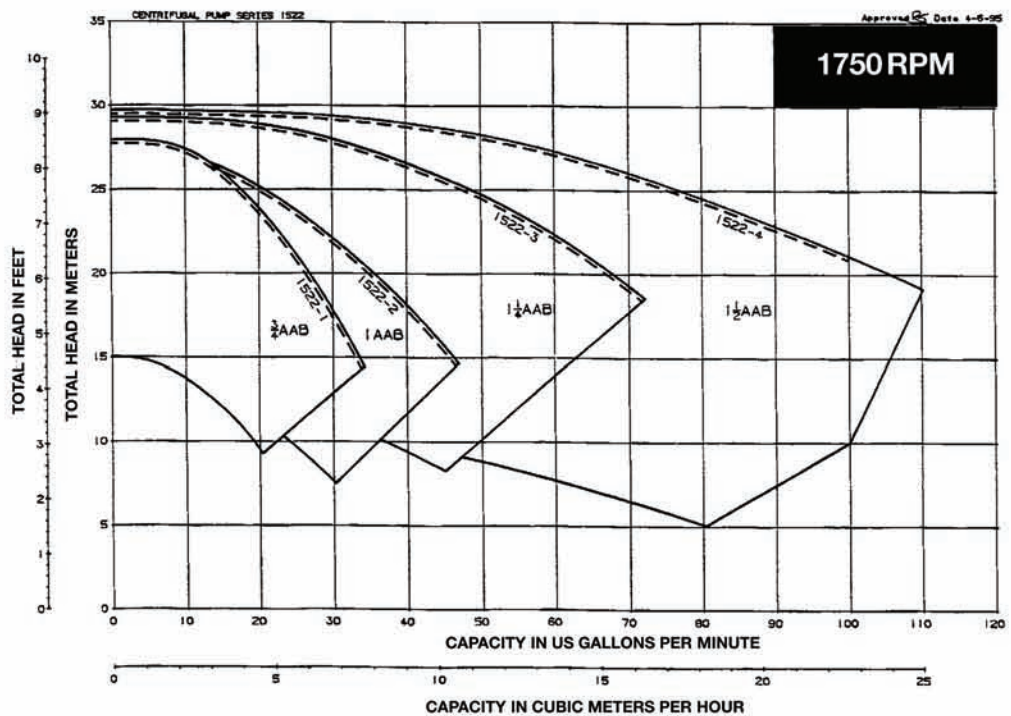
### 6. High Standards of Quality

Famous B&G quality combined with superior field backup results in total customer satisfaction.

## SELECTION CHART

NOTE: Dotted lines represent sizes available from stock.

Refer to page four for size and HP.



## TYPICAL SPECIFICATIONS

Furnish and install pumps with capacities as shown on plans. Pump shall be close coupled, single-stage, vertically-split case design, capable of being serviced without disturbing pipe connections.

Pump volute shall be Class 30 cast iron, and impeller shall be brass enclosed type, keyed to the shaft and secured by a lock washer and nut.

The liquid cavity shall be sealed off at the pump shaft by an internally-flushed mechanical seal with ceramic seal seat of at least 99% alumina oxide content, and carbon seal ring, suitable for continuous operation at 225°F. A replaceable shaft sleeve of copper alloy shall completely cover the wetted area under the seal.

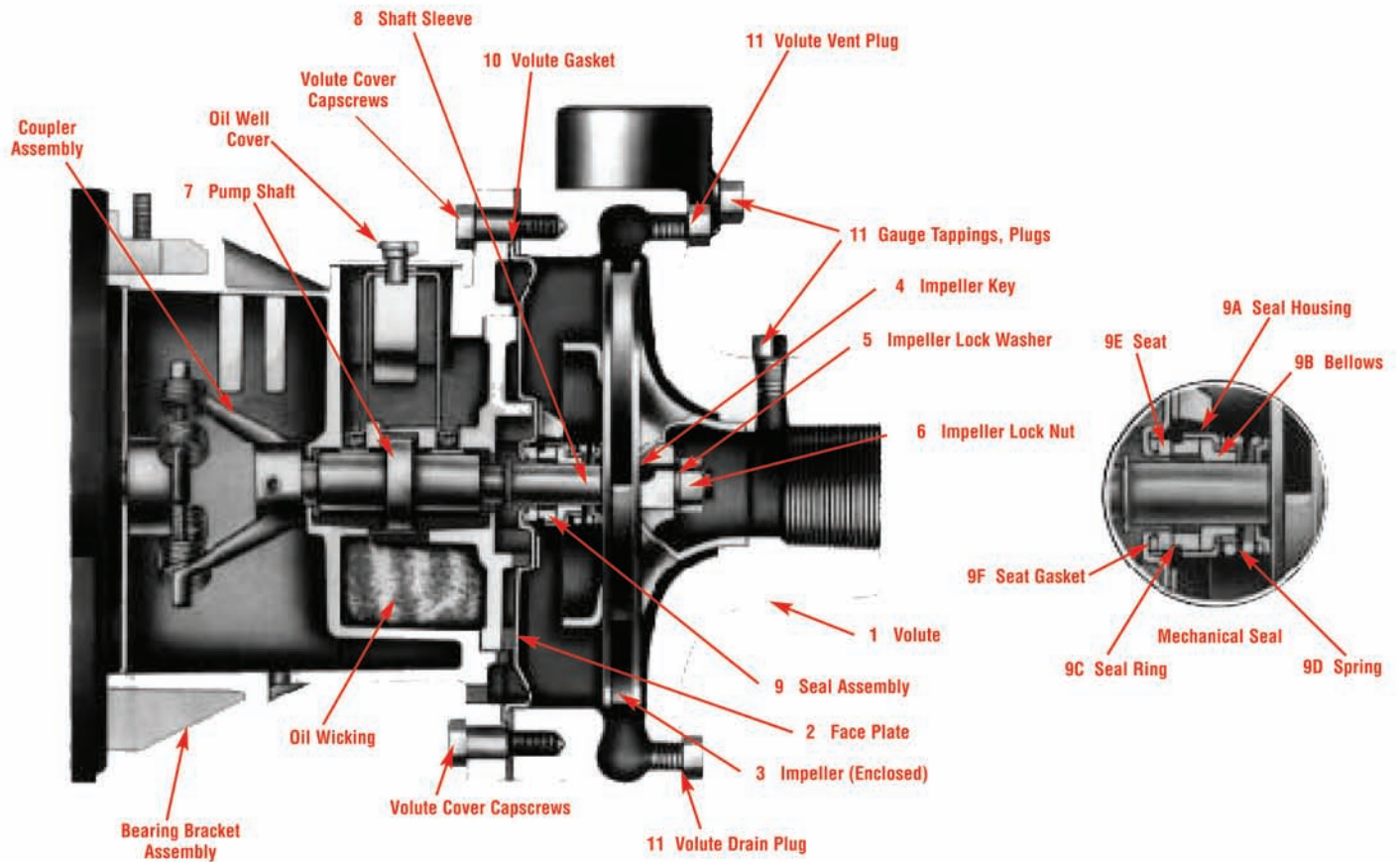
Pumps shall be rated for a 175 psi working pressure. Casing shall have gauge ports, and vent and drain ports at top and bottom of casing.

Motor shall meet NEMA specifications and shall be of the size, voltage and enclosure called for on the plans. It shall have heavy-duty bearings, completely adequate for the maximum load for which the motor is designed.

Each pump shall be factory tested. It shall then be thoroughly cleaned and painted with at least one coat of high-grade machinery enamel prior to shipment.

Pumps shall be Series 1522 as manufactured by Bell & Gossett.

# Series 1522 Centrifugal Pumps

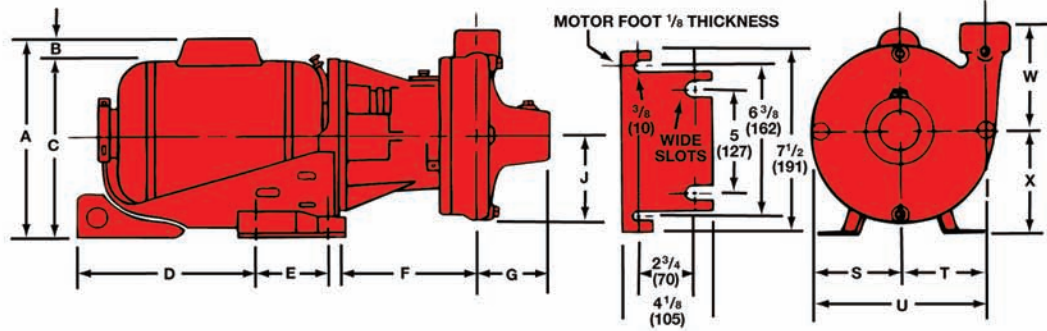


ITEM NO.	DESCRIPTION	BRONZE FITTED PUMP	ALL IRON PUMP	ALL BRONZE PUMP
1	Volute	Cast Iron ASTM #A159	Cast Iron ASTM #159	Cast Bronze ASTM #B584
2	Face Plate	Stainless Steel	Stainless Steel	Stainless Steel
3	Impeller	Brass	Plated Steel	Brass
4	Impeller Key	Carbon Steel	Carbon Steel	Carbon Steel
5	Impeller Lock Washer	Carbon Steel	Carbon Steel	Brass
6	Impeller Lock Nut	Plated Steel	Plated Steel	Brass
7	Pump Shaft	Steel SAE 1144	Steel SAE 1144	Steel SAE 1144
8	Shaft Sleeve	Copper Alloy 110	#316 Stainless Steel	Copper Alloy
9	Seal Assembly			
	A. Housing	Brass ASTM #B36	Plated Steel	Brass ASTM #B36
	B. Bellows	Buna "N" (EPT Optional)	Buna "N" (EPT Optional)	Buna "N" (EPT Optional)
	C. (Rotating) Ring	Carbon	Carbon	Carbon
	D. Spring	#304 Stainless Steel	#304 Stainless Steel	#304 Stainless Steel
	E. (Stationary) Seat	Ceramic	Ceramic	Ceramic
	F. Seat Gasket	Buna "N" (EPT Optional)	Buna "N" (EPT Optional)	Buna "N" (EPT Optional)
10	Volute Gasket	Cellulose Fiber	Cellulose Fiber	Cellulose Fiber
11	Plugs	Carbon Steel	Carbon Steel	Brass

SEAL SPECIFICATIONS: Buna-PH Limitations 7-9; Temperature Range -40 to +225°F (-40 to 107°C).  
EPT-PH Limitations 7-11; Temperature Range -40 to +250°F (-40 to 121°C).

# Dimensions

**BUILT TO ORDER PUMPS**



PUMP DIMENSIONS (MM)								
DISCHARGE	SUCTION	F	G	J	S	T	U	W
3/4 AAB	1 1/4	5 7/8 (149)	3 3/16 (81)	3 13/32 (87)	3 7/16 (87)	3 (76)	6 7/16 (164)	3 1/2 (89)
1 AAB	1 1/4	5 7/8 (149)	2 15/16 (75)	3 3/4 (95)	3 5/8 (92)	3 3/8 (86)	7 (178)	4 1/2 (114)
1 1/4 AAB	1 1/2	6 (152)	3 1/16 (78)	3 7/8 (98)	3 11/16 (94)	3 5/16 (84)	7 (178)	4 3/8 (111)
1 1/2 AAB	2	6 1/8 (156)	2 15/16 (75)	4 (102)	3 11/16 (94)	3 3/8 (86)	7 1/16 (179)	5 3/16 (132)

MOTOR DIMENSIONS — 1750 RPM (MM)								
H.P.	RPM	PHASE	A	B	C	D	E	X
1/4	1750	1	7 1/2 (191)	—	7 1/2 (191)	6 3/8 (162)	1 3/16 (21)	4 3/8 (111)
1/4	1750	3	7 1/2 (191)	—	7 1/2 (191)	6 1/8 (156)	1 3/16 (21)	4 3/8 (111)
1/3	1750	1	9 9/16 (243)	2 1/16 (52)	7 1/2 (191)	6 3/8 (162)	1 3/16 (21)	4 3/8 (111)
1/3	1750	3	7 1/2 (191)	—	7 1/2 (191)	7 3/8 (187)	1 3/16 (21)	4 3/8 (111)
1/2	1750	1	9 9/16 (243)	2 1/16 (52)	7 1/2 (191)	7 3/8 (187)	1 3/16 (21)	4 3/8 (111)
1/2	1750	3	7 1/2 (191)	—	7 1/2 (191)	7 3/8 (187)	1 3/16 (21)	4 3/8 (111)
3/4	1750	1	9 9/16 (243)	2 1/16 (52)	7 1/2 (191)	7 3/8 (187)	1 3/16 (21)	4 3/8 (111)
3/4	1750	3	7 1/2 (191)	—	7 1/2 (191)	7 7/8 (200)	1 3/16 (21)	4 3/8 (111)

Not to be used for construction purposes unless certified

## STOCK PUMPS

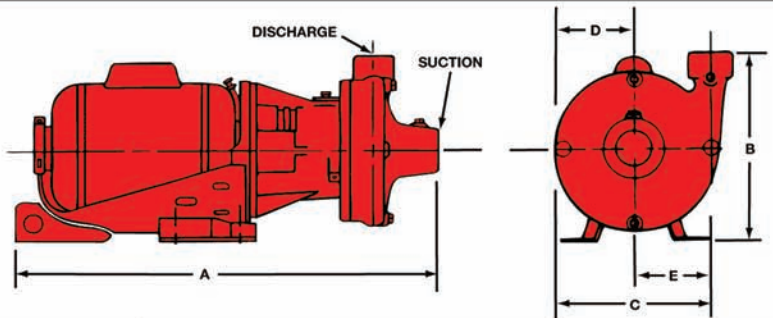
Bronze fitted construction—equipped with 60 cycle drip-proof type motors. Built-to-order units are available when conditions cannot be met by stock pump selections.

### STANDARD VOLTAGES

1/4 HP, 1 PH, 115 Volts.

1/3 to 3/4 HP, 1 PH, 115/230 Volts.

1/4 to 3/4 HP, 3 PH, 1750 RPM, 208-230/460 Volts.



UNIT NO.	SUCTION SIZE INCHES NPT	DISCHARGE SIZE INCHES NPT	MOTOR SIZE		APPROXIMATE DIMENSIONS IN INCHES (MM) NOT TO BE USED FOR INSTALLATION				
			H.P.	SPEED RPM	A	B	C	D	E
2	1 1/4	1 AAB	1/3	1750	19 3/4 (502)	8 7/8 (225)	8 (203)	3 5/8 (92)	4 3/8 (111)
3	1 1/2	1 1/4 AAB	1/2	1750	20 (508)	8 3/4 (222)	8 3/16 (208)	3 11/16 (94)	4 1/2 (114)
4	2	1 1/2 AAB	3/4	1750	20 1/2 (521)	9 9/16 (243)	8 3/8 (213)	3 11/16 (94)	4 11/16 (119)



Xylem Inc.  
8200 N. Austin Avenue  
Morton Grove, Illinois 60053  
Phone: (847) 966-3700  
Fax: (847) 965-8379  
[www.xylem.com/brands/bellgossett](http://www.xylem.com/brands/bellgossett)

Bell & Gossett is a trademark of Xylem Inc. or one of its subsidiaries.  
© 1999 Xylem Inc. B-302E June 1999